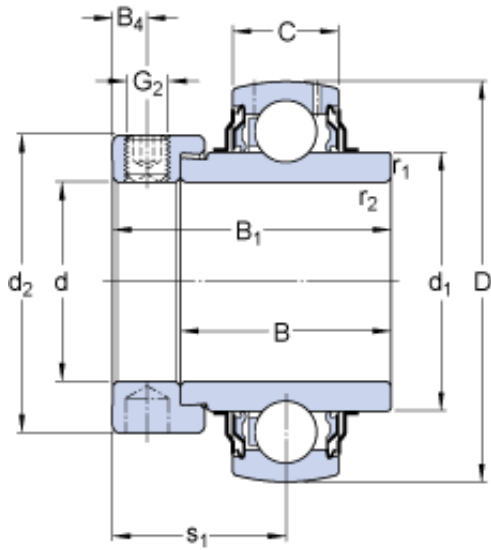




Bearing Driveshaft do Brasil



YEL 206-2F Bearing 2D drawings and 3D CAD models

30 mm x 62 mm x 36.5 mm SKF YEL 206-2F
deep groove ball bearings

Bearing No. YEL 206-2F

Size	62x30x48.4 mm
Bore Diameter	62 mm
Outer Diameter	30 mm
Width	48,4 mm
d	30 mm
D	62 mm
B ₁	48.4 mm
C	18 mm
d ₁	39.7 mm
d ₂	44.1 mm
B	36.5 mm
B ₄	5.95 mm
r _{1,2} - min.	0.6 mm
s ₁	30.1 mm
Basic dynamic load rating - C	19.5 kN
Basic static load rating - C ₀	11.2 kN
Fatigue load limit - P _u	0.475 kN
Limiting speed with shaft tolerance h6	6300 r/min
Calculation factor - f ₀	14
Mass bearing	0.36 kg
Thread - G ₂	M8x1
Hexagonal key size for grub screw - H	4 mm



Bearing Driveshaft do Brasil

Category	Insert Bearings Spherical OD
Inventory	0.0
Manufacturer Name	SKF
Minimum Buy Quantity	N/A
Weight / Kilogram	0.36
Product Group	M06110
Inner Race Profile	Wide Inner Ring
Outer Race Profile	Spherical
Relubricatable	Yes
Seal Type	M Seal
Mounting Method	Eccentric Collar
Rolling Element	Ball Bearing
Snap Ring	No
Long Description	30MM Bore; Wide Inner Ring; Ball Bearing; 48.4MM Length Thru Bore; 18MM Outer Race Width; 62MM Outside Diameter; Relubricatable; M Seal Seal; Eccentric Collar Mounting Method; No Snap Ring
Inch - Metric	Metric
Other Features	Single Row Standard Duty With Set Screw Has Flinger Metric
Category	Insert Bearings
UNSPSC	31171536
Harmonized Tariff Code	8482.10.50.00
Noun	Bearing
Keyword String	Insert
Manufacturer URL	http://www.skf.com
Manufacturer Item Number	YEL 206-2F
Weight / LBS	0.794
Bore	1.181 Inch 30 Millimeter



Bearing Driveshaft do Brasil

Outer Race Width	0.709 Inch 18 Millimeter
Outside Diameter	2.441 Inch 62 Millimeter
Length Thru Bore	1.906 Inch 48.4 Millimeter
bore diameter:	30 mm
radial dynamic load capacity:	19.5 kN
outside diameter:	2.4409 in
radial static load capacity:	11.2 kN
outer ring width:	18 mm
bearing material:	Stainless Steel
inner ring width:	48.4 mm
finish/coating:	Black Oxide
bore type:	Round
seal type:	Contact with Flinger
locking device:	Eccentric Collar
series:	YEL2
operating temperature range:	-40 to +210 ° F
B_1	48.4 mm
d_1	39.7 mm
d_2	44.1 mm
B_4	5.95 mm
$r_{1,2}$ min.	0.6 mm
s_1	30.1 mm
Basic dynamic load rating C	19.5 kN
Basic static load rating C_0	11.2 kN
Fatigue load limit P_u	0.475 kN
Limiting speed ¹⁾	6300 r/min
Calculation factor f_0	14
Mass complete bearing	0.38 kg
Thread grub screw G_2	M8x1
Hexagonal key size for grub screw N	4 mm



Bearing Driveshaft do Brasil

Recommended tightening torque for grub screw	6.5 N · m
---	-----------